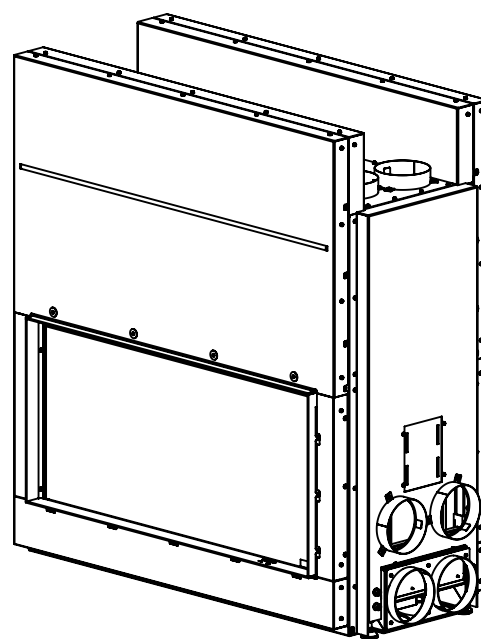
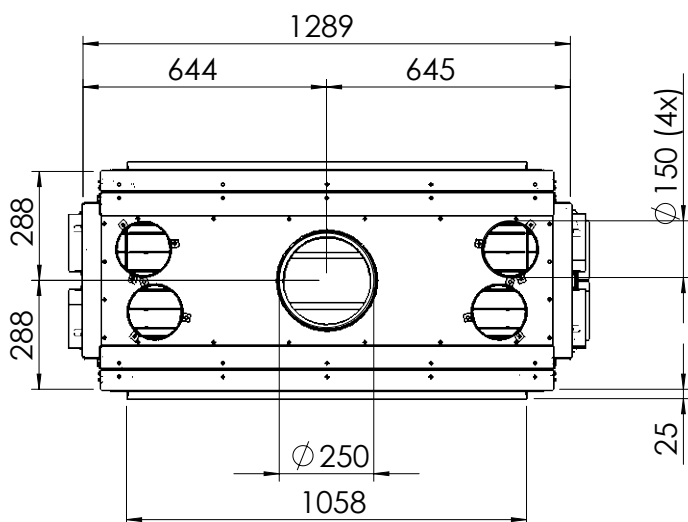
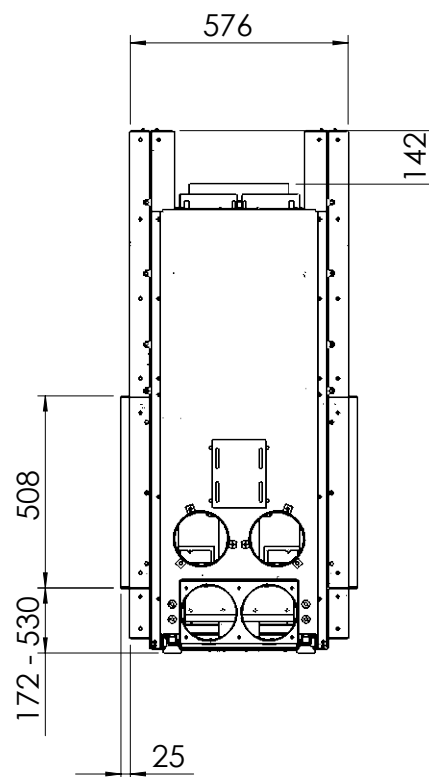
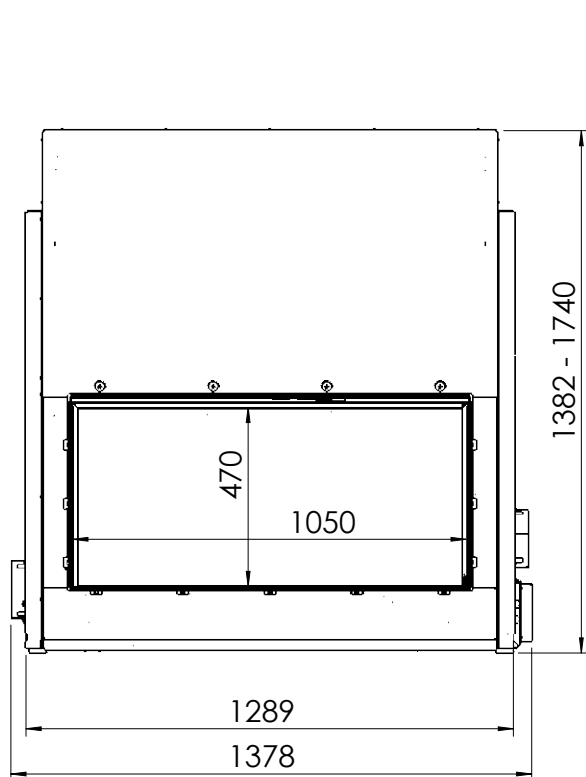


KALFIRE

FIREPLACES

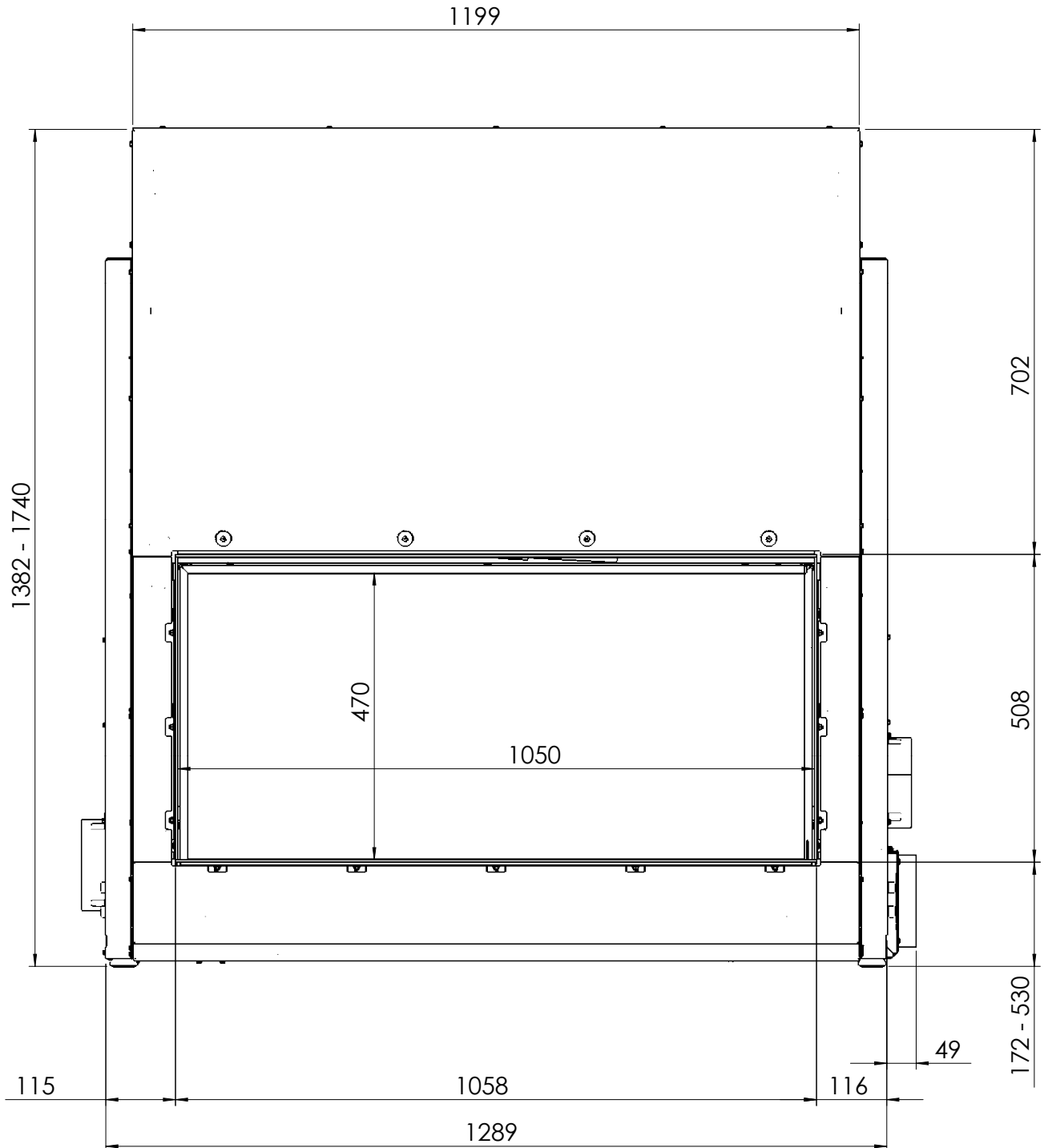
W105-47T
Weight 435kg



All dimensions in mm. Modifications under reserve.

9-8-2016 sheet 1 / 4

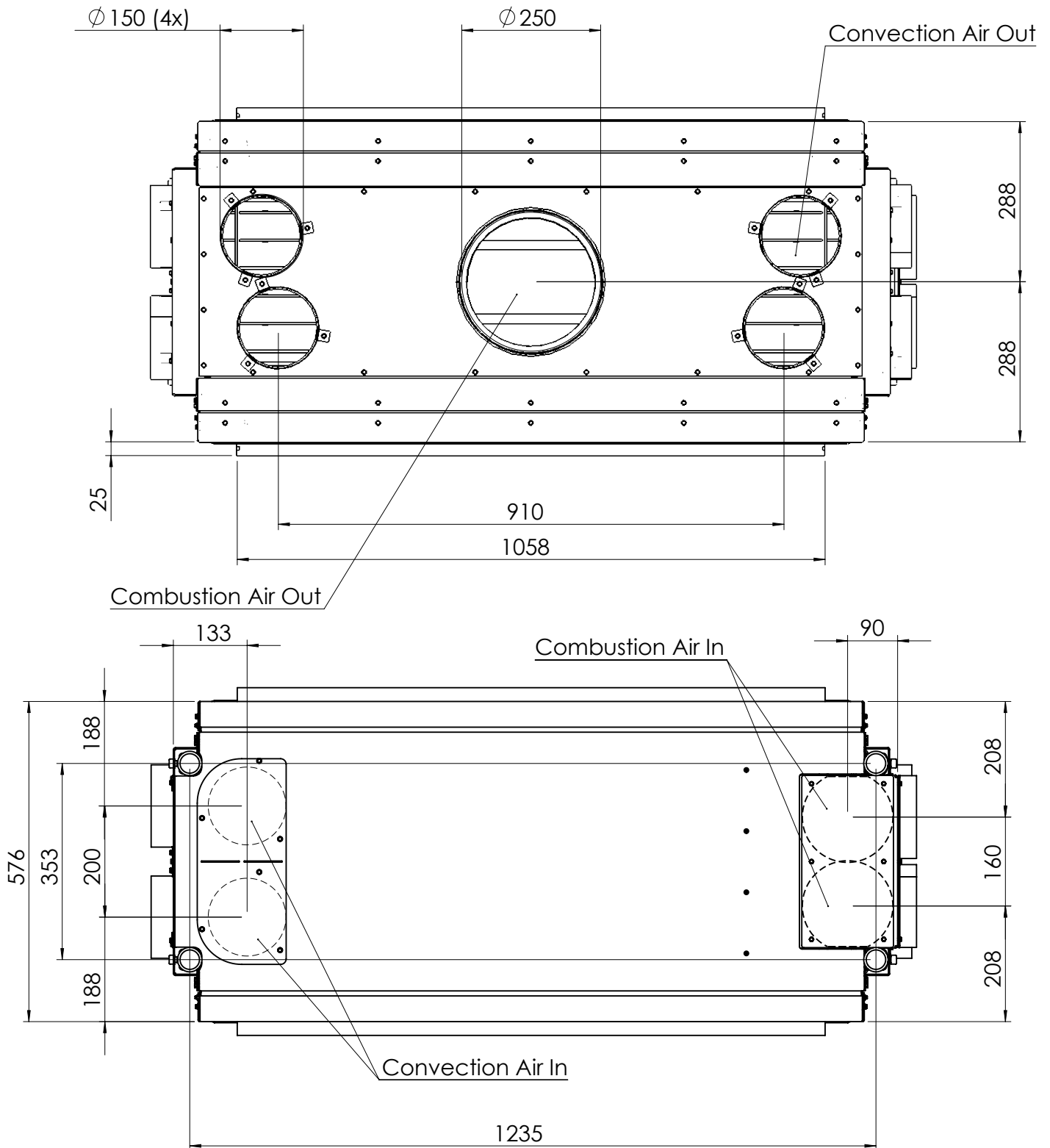
© All rights reserved. This drawing is sole property of Kal-fire. No part of this drawing may be reproduced, or published, in any form or in any way without prior written permission from Kal-fire.



All dimensions in mm. Modifications under reserve.

9-8-2016 sheet 2 / 4

© All rights reserved. This drawing is sole property of Kal-fire. No part of this drawing may be reproduced, or published, in any form or in any way without prior written permission from Kal-fire.



All dimensions in mm. Modifications under reserve.

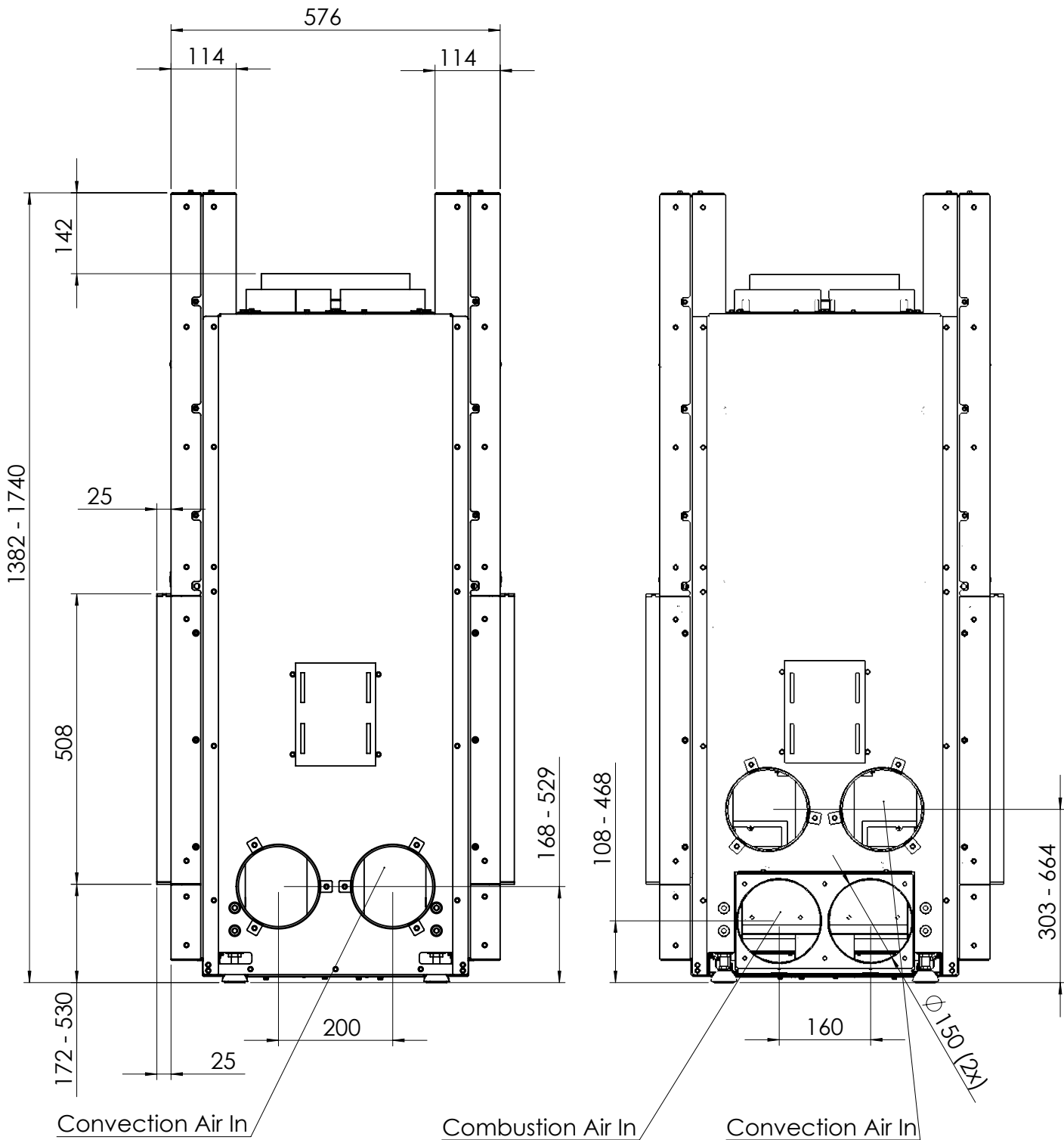
9-8-2016 sheet 3 / 4

© All rights reserved. This drawing is sole property of Kal-fire. No part of this drawing may be reproduced, or published, in any form or in any way without prior written permission from Kal-fire.

KALFIRE

FIREPLACES

W105-47T



All dimensions in mm. Modifications under reserve.

9-8-2016 sheet 4 / 4

© All rights reserved. This drawing is sole property of Kal-fire. No part of this drawing may be reproduced, or published, in any form or in any way without prior written permission from Kal-fire.